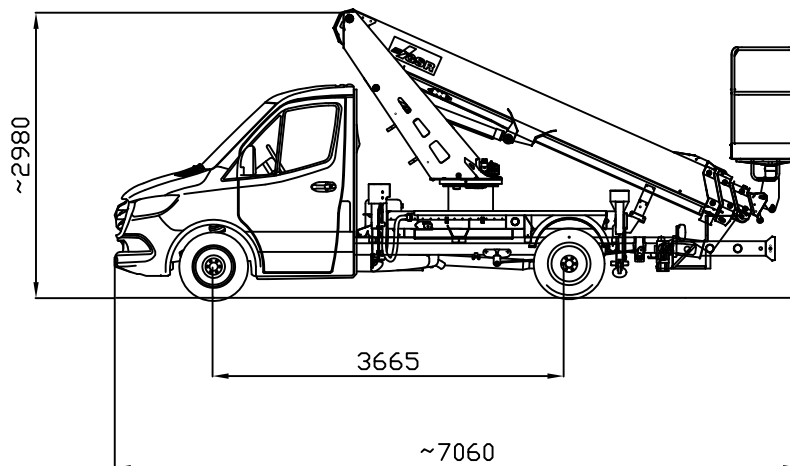
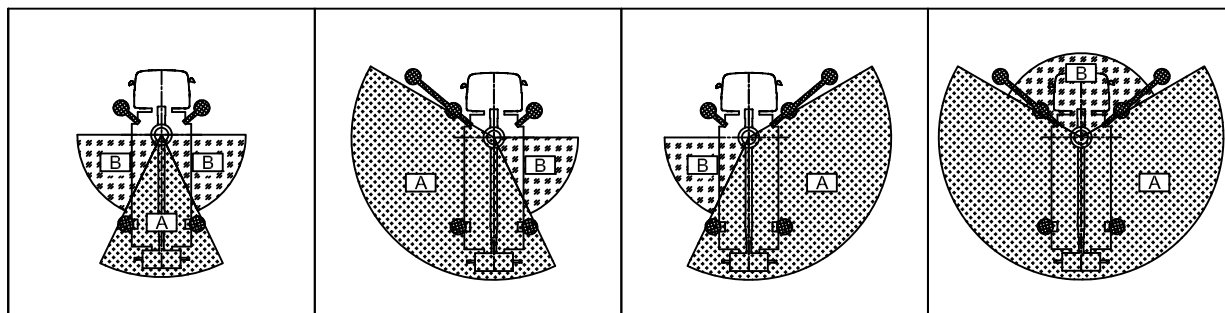
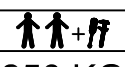


APPROXIMATE DATA - TECNICHE AEMERUNGEN VORBEHALTEN  
 DONNES INDICATIVES - DATI INDICATIVI

TOLLERANZA  
 TOLERANCE  
 TOLERANZA  
 TOLERANZ  
 + 0%  
 - 5%



MAX SAFE WORKING LOAD	 <b>250 KG</b>
MAX NENNTRAGFAHIGKKEIT IM KORB	
MAX CHARGE NOMINALE DANS LE PANIER	
MAX PORTATA NOMINALE IN NAVICELLA	
ALUMINIUM BASKET	



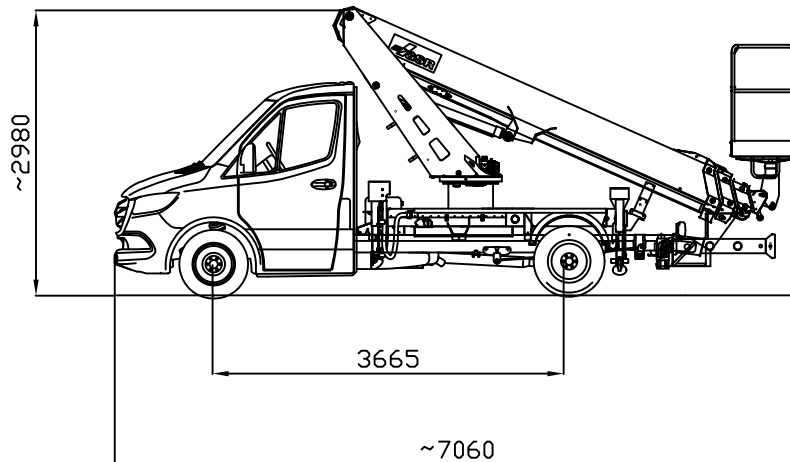
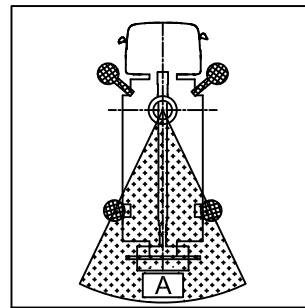
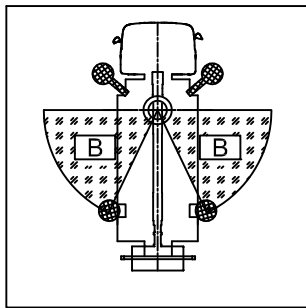
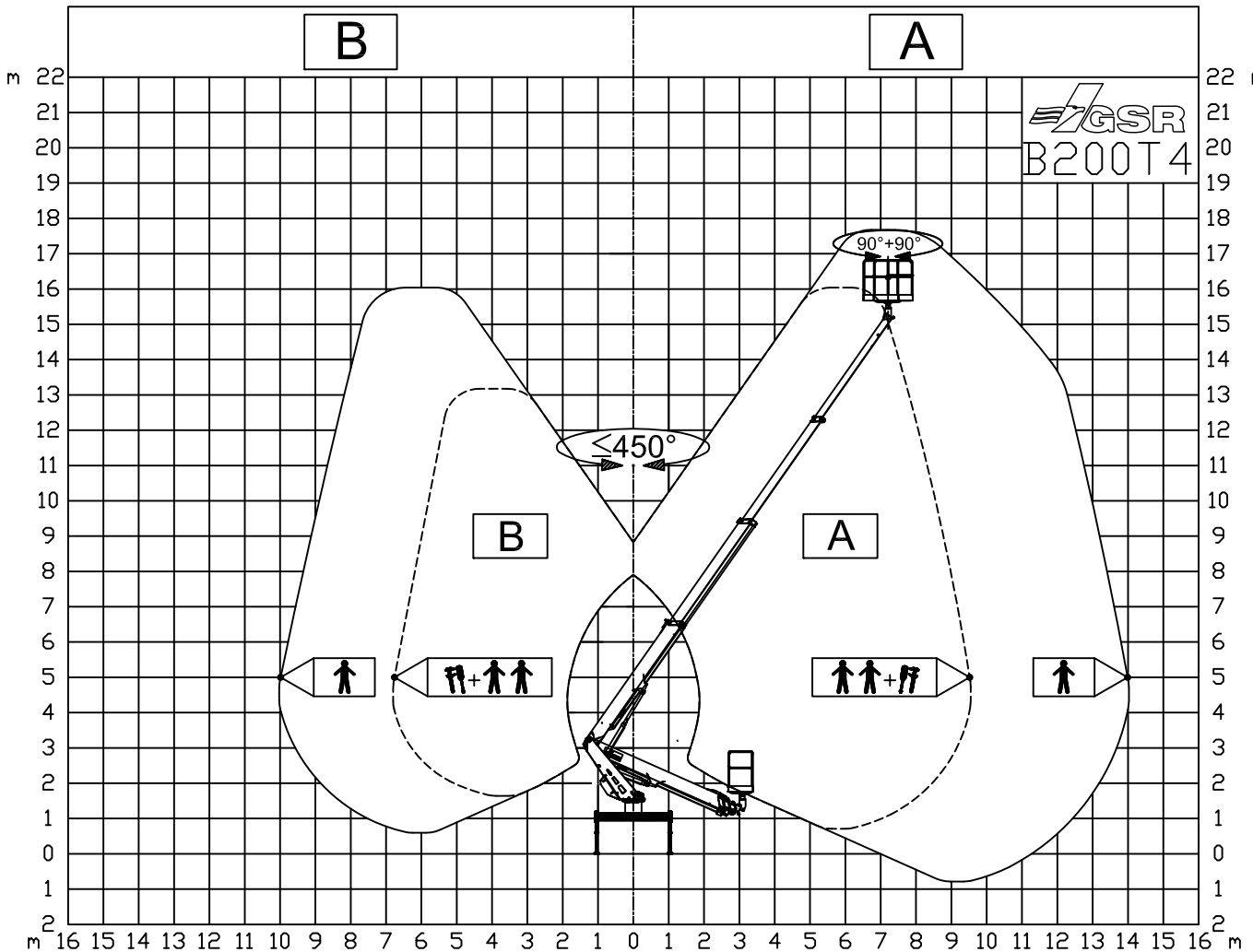
DENOMINAZIONE  
**B200T4 Comfort**  
 MERCEDES 311CDI - 3.5 t  
 Sheet 1 of 2

DATE  
 15-06-2020

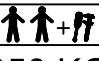
CODE  
**PRP1636**

Aggiornamenti - Modifiche:

C	F
B	E
A	D



MAX SAFE WORKING LOAD  
 MAX NENNTRAGFAHIGKEIT IM KORB  
 MAX CHARGE NOMINALE DANS LE PANIER  
 MAX PORTATA NOMINALE IN NAVICELLA  
 ALUMINIUM BASKET

  
**250 KG**



DENOMINAZIONE  
**B200T4 Comfort**  
 MERCEDES 311CDI - 3.5 t  
 Sheet 2 of 2

DATE  
 15-06-2020

CODE  
**PRP1636**

APPROXIMATE DATA - TECNICHE AERENDINGEN VORBEHALTEN

DONNES INDICATIVES - DATI INDICATIVI

TOLLERANZA  
 TOLERANCE  
 TOLERANZ  
 TOLERANZ  
 + 0%  
 - 5%

Aggiornamenti - Modifiche:

C	F
B	E
A	D